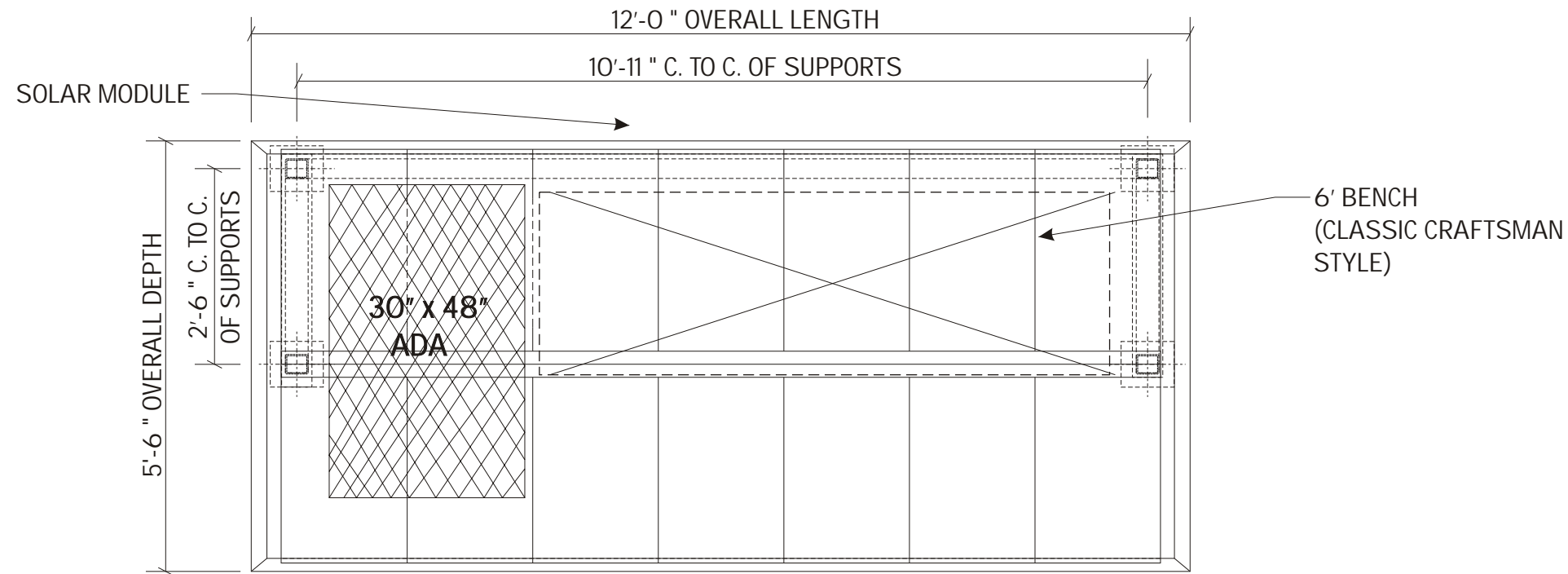


DESIGNERS & BUILDERS OF SIGNS  
Since 1952



© 2008 LNI Custom Manufacturing Inc.  
12536 Chadron Ave., Hawthorne, CA 90250  
Phone: 310.978.2000 Facsimil e: 310.978.4000  
<http://www.lnisingns.com>




## SHELTER LAYOUT PLAN

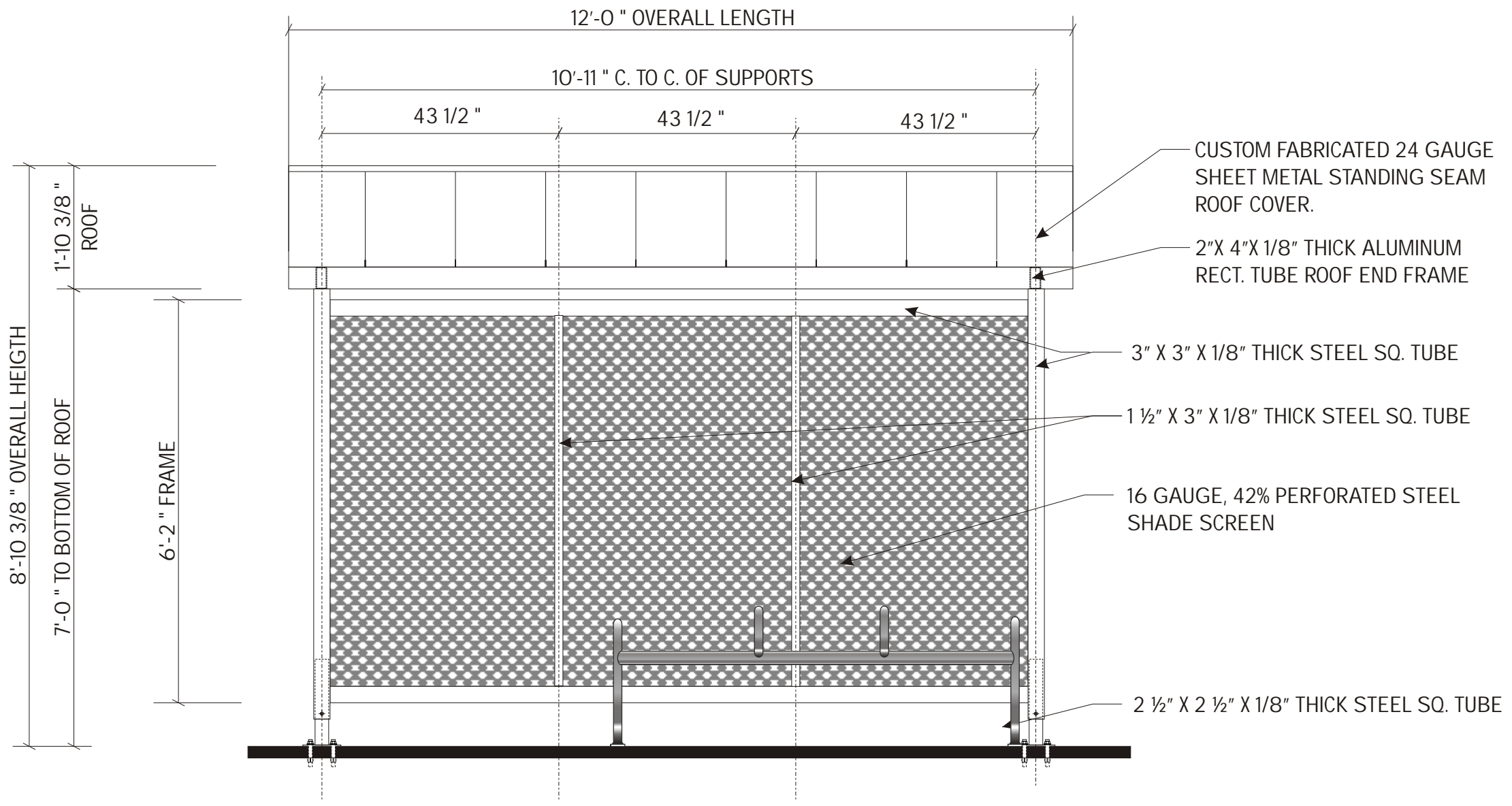
SCALE: 1/2" = 1'-0"

### CITY OF BUELLTON SOLVANG SCOPE OF WORK:

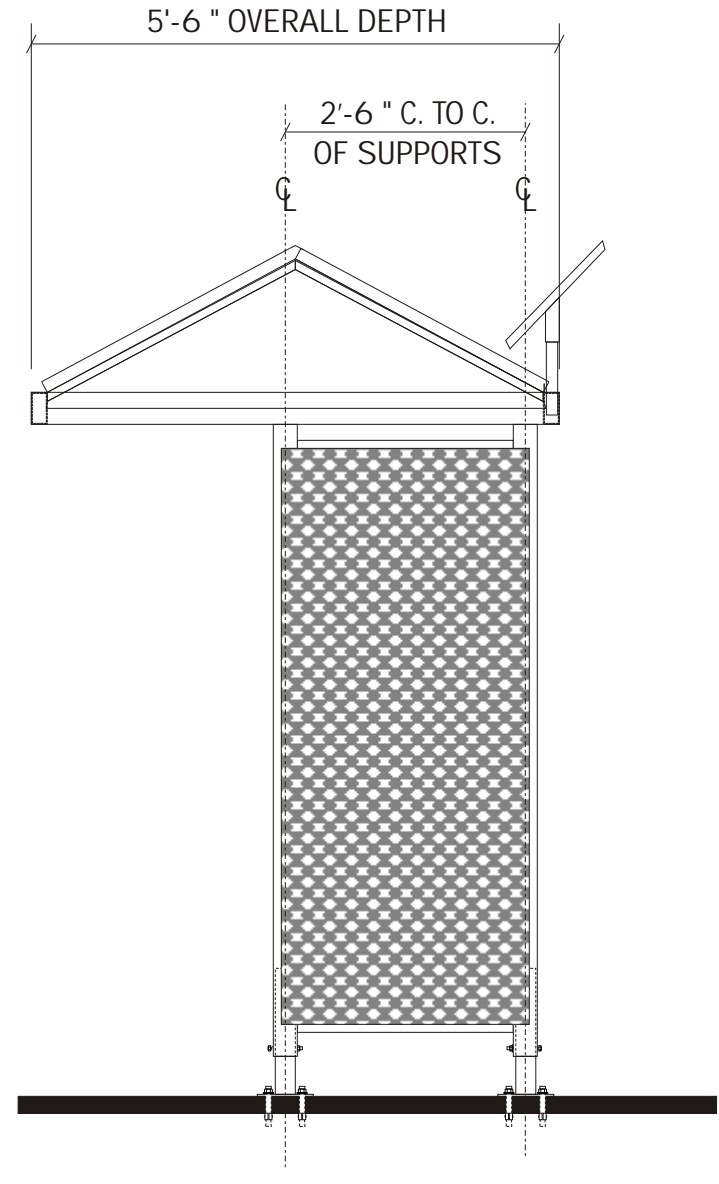
DESCRIPTION	SHEET
PLAN VIEW/SCOPE OF WORK	2
FRONT & RIGHT SIDE ELEVATION	3
ROOF TOP & VERT. STEEL TUBE SUPPORT ( PLAN VIEW )	4
ROOF SECTION	5
TOP OF COLUMN & BASE MOUNTING DETAILS	6
6' BENCH ELEVATION	7
6' BENCH DETAILS	8

PROJECT NAME: CITY OF BUELLTON SOLVANG		DRAWING No. 12ft Gable Roof Shelter		APPROVAL		DATE		 12536 CHADRON AVENUE HAWTHORNE, CA 90250 PH 310.978.2000 FX 310.978.4000 HTTP://WWW.LNISIGNS.COM	<table border="1"> <thead> <tr> <th>△</th> <th>DATE</th> <th>BY</th> <th>REVISION</th> </tr> </thead> <tbody> <tr> <td>R1</td> <td>07/29/08</td> <td>AS</td> <td>PERFORATED STEEL SHADE SCREEN ADDED REVISED</td> </tr> <tr> <td> </td> <td> </td> <td> </td> <td> </td> </tr> <tr> <td> </td> <td> </td> <td> </td> <td> </td> </tr> <tr> <td> </td> <td> </td> <td> </td> <td> </td> </tr> </tbody> </table>		△	DATE	BY	REVISION	R1	07/29/08	AS	PERFORATED STEEL SHADE SCREEN ADDED REVISED													<small>NOTE: THIS IS AN ORIGINAL UNPUBLISHED DRAWING CREATED BY LNI CUSTOM MFG., INC. IT IS SUBMITTED FOR YOUR PERSONAL USE IN CONNECTION WITH A PROJECT BEING PLANNED FOR YOU BY LNI CUSTOM MFG., INC. IT IS NOT TO BE SHOWN TO ANYONE OUTSIDE YOUR ORGANIZATION, NOR IS IT TO BE USED, REPRODUCED, COPIED, OR EXHIBITED IN ANY FASHION.</small>		SHEET	
△	DATE	BY	REVISION																															
R1	07/29/08	AS	PERFORATED STEEL SHADE SCREEN ADDED REVISED																															
ADDRESS	-	SCALE:	AS NOTED	CLIENT		GENERAL NOTES		2 OF 8																										
CITY / STATE:	BUELLTON SOLVANG	DRAWN BY:	AS	SALES		CUSTOMER TO PROVIDE PRIMARY ELECTRICAL SERVICE WITHIN 6'-0" OF SIGN ELECTRICAL CONNECTION.																												
TELEPHONE:	-	DESIGN DATE:	06/30/08	LANDLORD		ALL ELECTRICAL COMPONENTS TO BE U.L. APPROVED. MANUFACTURE'S LABEL AND U.L. LABEL SHALL BE PLACED ON SIGN ACCORDING TO CITY CODE.																												
FAX NUMBER:	-	SALES PERSON:	THERESA ROTH	PROGRAMING																														
				ENGINEER																														

**POWDER COAT NOTE:**  
 SHELTER STRUCTURE AND ROOF AND SIDINGS: COLOR TO BE  
 CARDINAL C006-GN03 GREEN.



**FRONT ELEVATION**  
 SCALE: 1/2" = 1'-0"



**RIGHT ELEVATION**  
 SCALE: 1/2" = 1'-0"

PROJECT NAME: CITY OF BUELLTON SOLVANG	COMPUTER FILE: DRAWING No. 12ft Gable Roof Shelter
ADDRESS: -	SCALE: AS NOTED
CITY / STATE: BUELLTON SOLVANG	DRAWN BY: AS
TELEPHONE: -	DESIGN DATE: 06/30/08
FAX NUMBER: -	SALES PERSON: THERESA ROTH

APPROVAL	DATE
CLIENT	
SALES	
LANDLORD	
PROGRAMING	
ENGINEER	



△	DATE	BY	REVISION
R1	07/29/08	AS	PERFORATED STEEL SHADE SCREEN ADDED REVISED

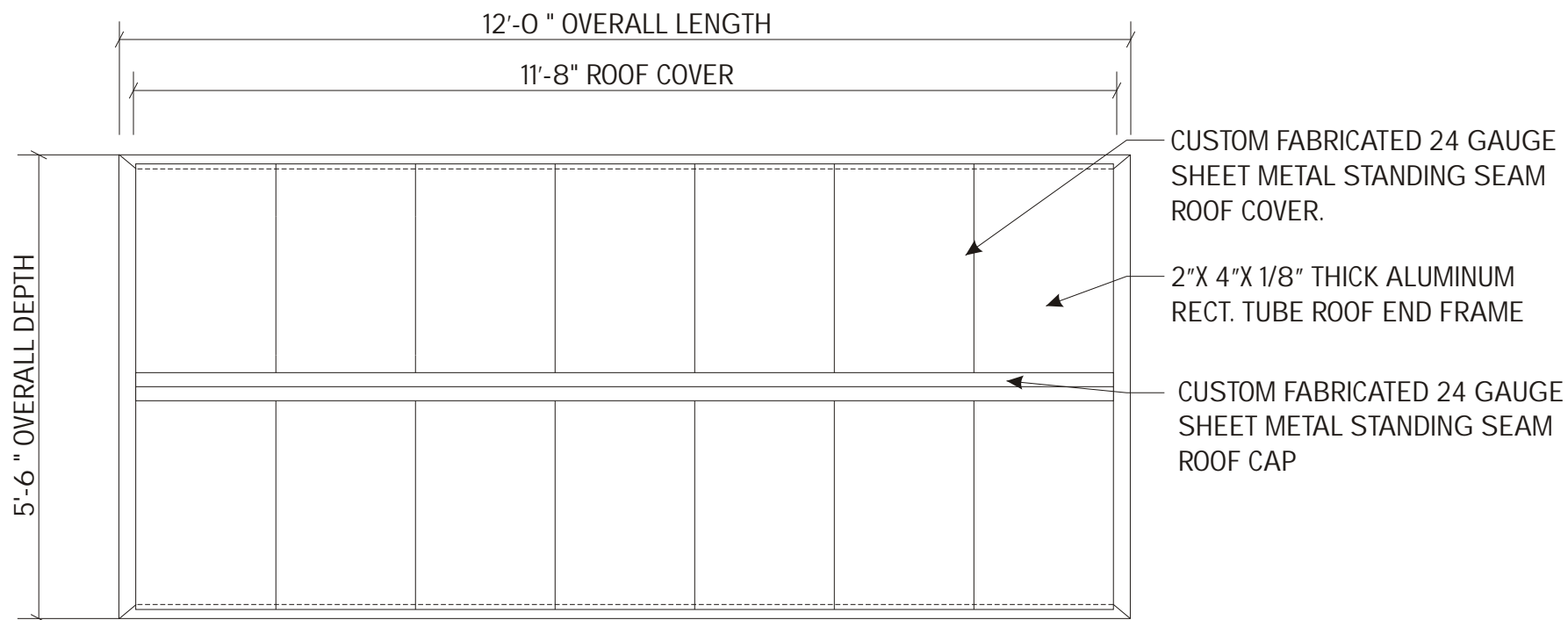
NOTE: THIS IS AN ORIGINAL UNPUBLISHED DRAWING CREATED BY LNI CUSTOM MFG., INC. IT IS SUBMITTED FOR YOUR PERSONAL USE IN CONNECTION WITH A PROJECT BEING PLANNED FOR YOU BY LNI CUSTOM MFG., INC. IT IS NOT TO BE SHOWN TO ANYONE OUTSIDE YOUR ORGANIZATION, NOR IS IT TO BE USED, REPRODUCED, COPIED, OR EXHIBITED IN ANY FASHION.

GENERAL NOTES

CUSTOMER TO PROVIDE PRIMARY ELECTRICAL SERVICE WITHIN 6'-0" OF SIGN ELECTRICAL CONNECTION.

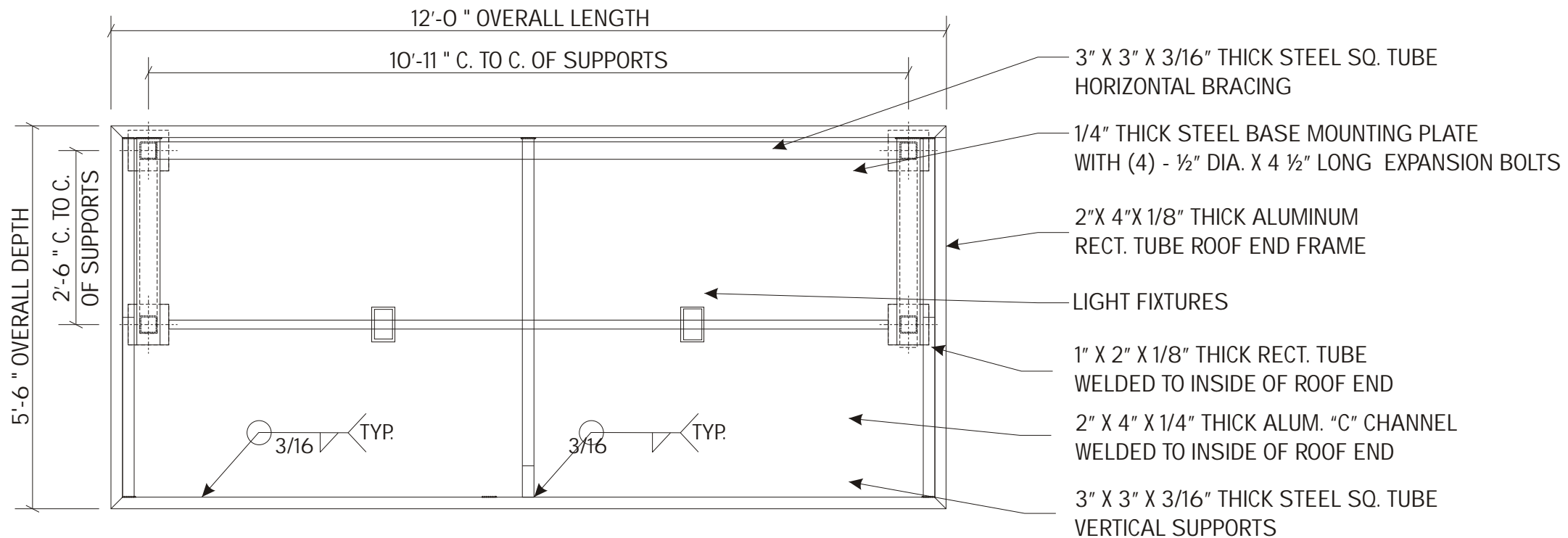
ALL ELECTRICAL COMPONENTS TO BE U.L. APPROVED, MANUFACTURER'S LABEL AND U.L. LABEL SHALL BE PLACED ON SIGN ACCORDING TO CITY CODE.

SHEET  
 3 OF 8



**ROOF TOP (PLAN VIEW)**

SCALE: 1/2" = 1'-0"



**VERTICAL STEEL TUBE SUPPORT**

SCALE: 1/2" = 1'-0"

PROJECT NAME: CITY OF BUELLTON SOLVANG	COMPUTER FILE DRAWING No. 12ft Gable Roof Shelter
ADDRESS -	SCALE: AS NOTED
CITY / STATE: BUELLTON SOLVANG	DRAWN BY: AS
TELEPHONE: -	DESIGN DATE: 06/30/08
FAX NUMBER: -	SALES PERSON: THERESA ROTH

APPROVAL	DATE
CLIENT	
SALES	
LANDLORD	
PROGRAMING	
ENGINEER	

12536 CHADRON AVENUE  
HAWTHORNE, CA 90250  
PH 310.978.2000  
FX 310.978.4000  
HTTP://WWW.LNISIGNS.COM

CUSTOM MANUFACTURING SINCE 1952

△	DATE	BY	REVISION
R1	07/29/08	AS	PERFORATED STEEL SHADE SCREEN ADDED REVISED

NOTE: THIS IS AN ORIGINAL UNPUBLISHED DRAWING CREATED BY LNI CUSTOM MFG., INC. IT IS SUBMITTED FOR YOUR PERSONAL USE IN CONNECTION WITH A PROJECT BEING PLANNED FOR YOU BY LNI CUSTOM MFG., INC. IT IS NOT TO BE SHOWN TO ANYONE OUTSIDE YOUR ORGANIZATION, NOR IS IT TO BE USED, REPRODUCED, COPIED, OR EXHIBITED IN ANY FASHION.

GENERAL NOTES

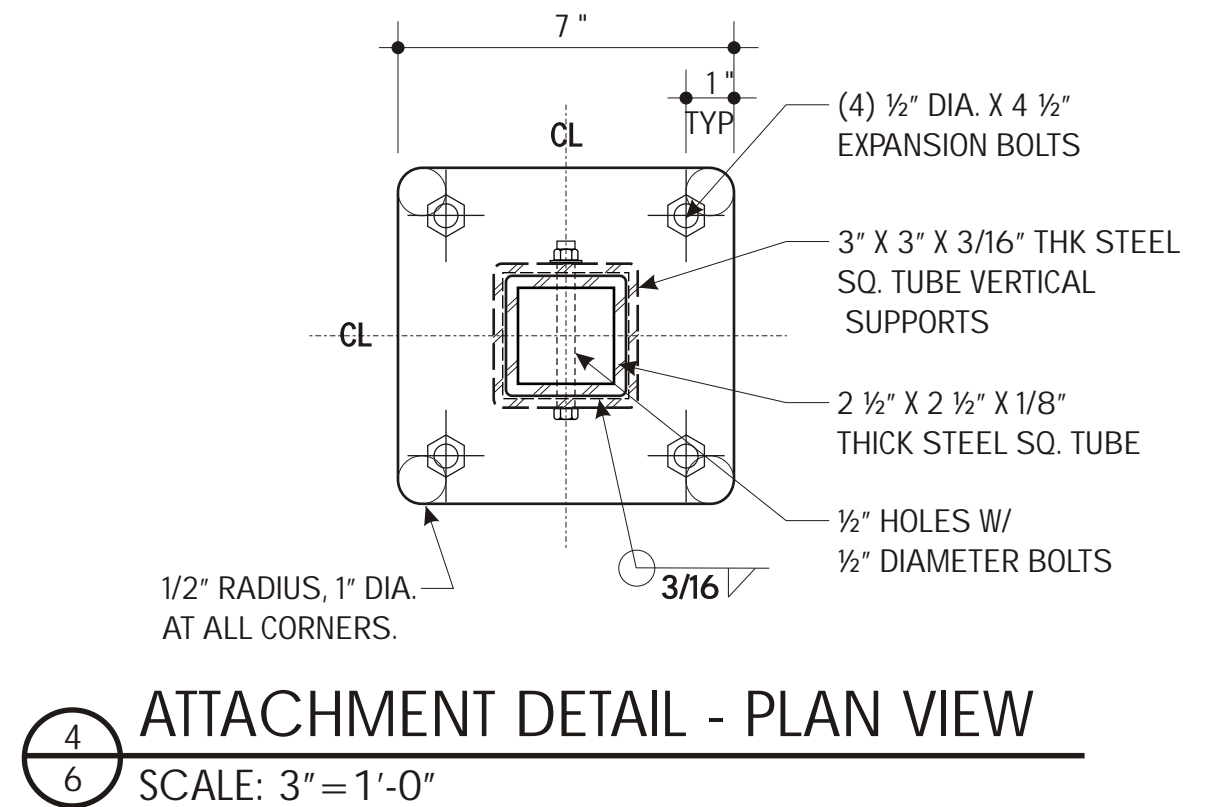
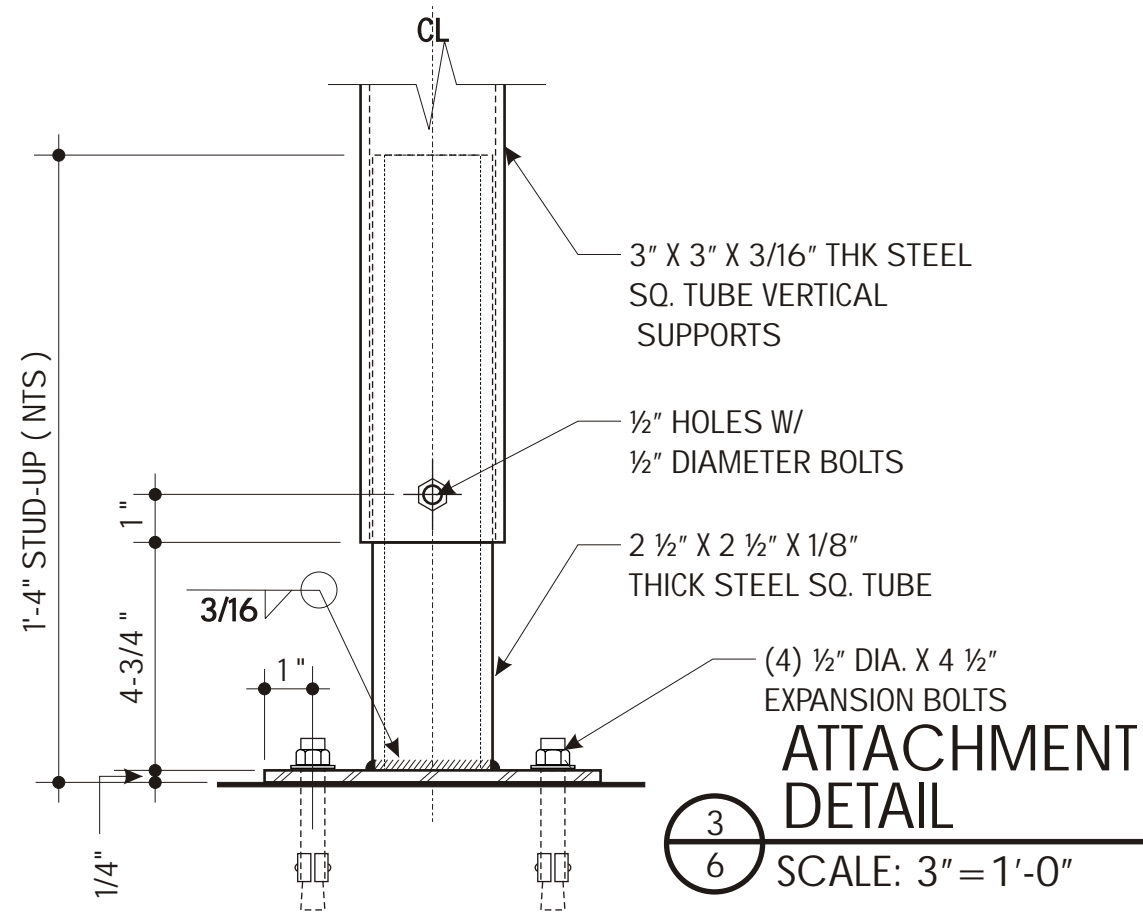
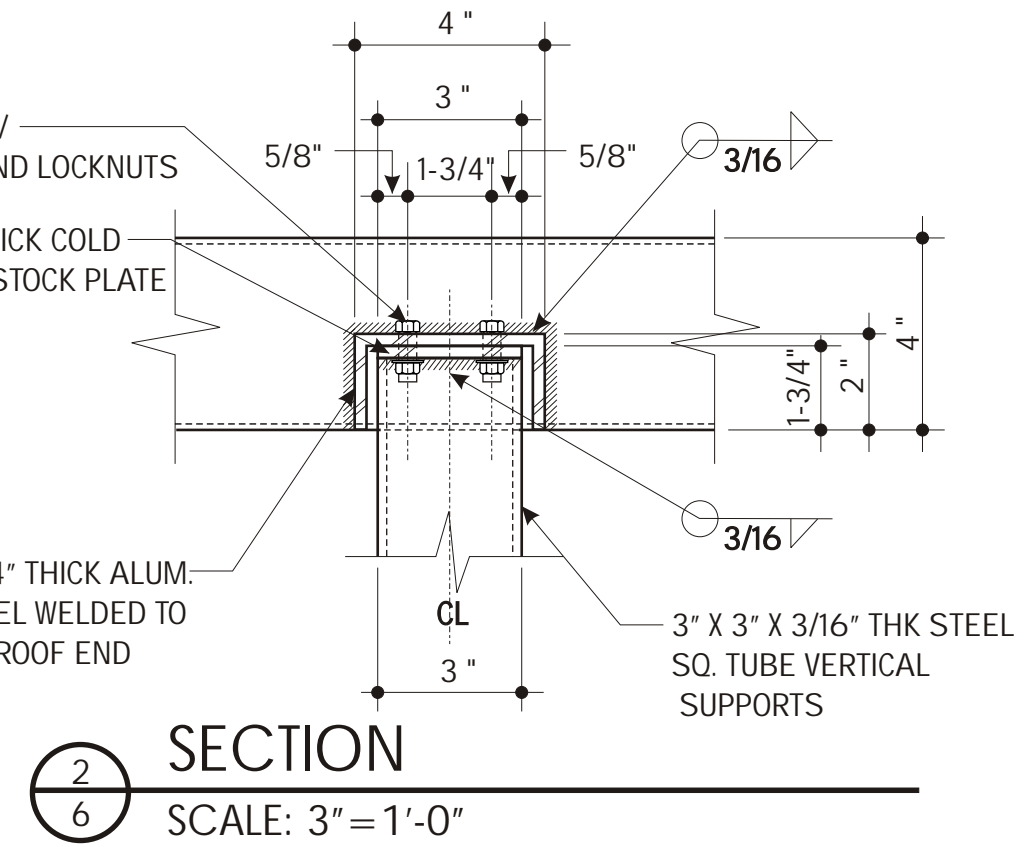
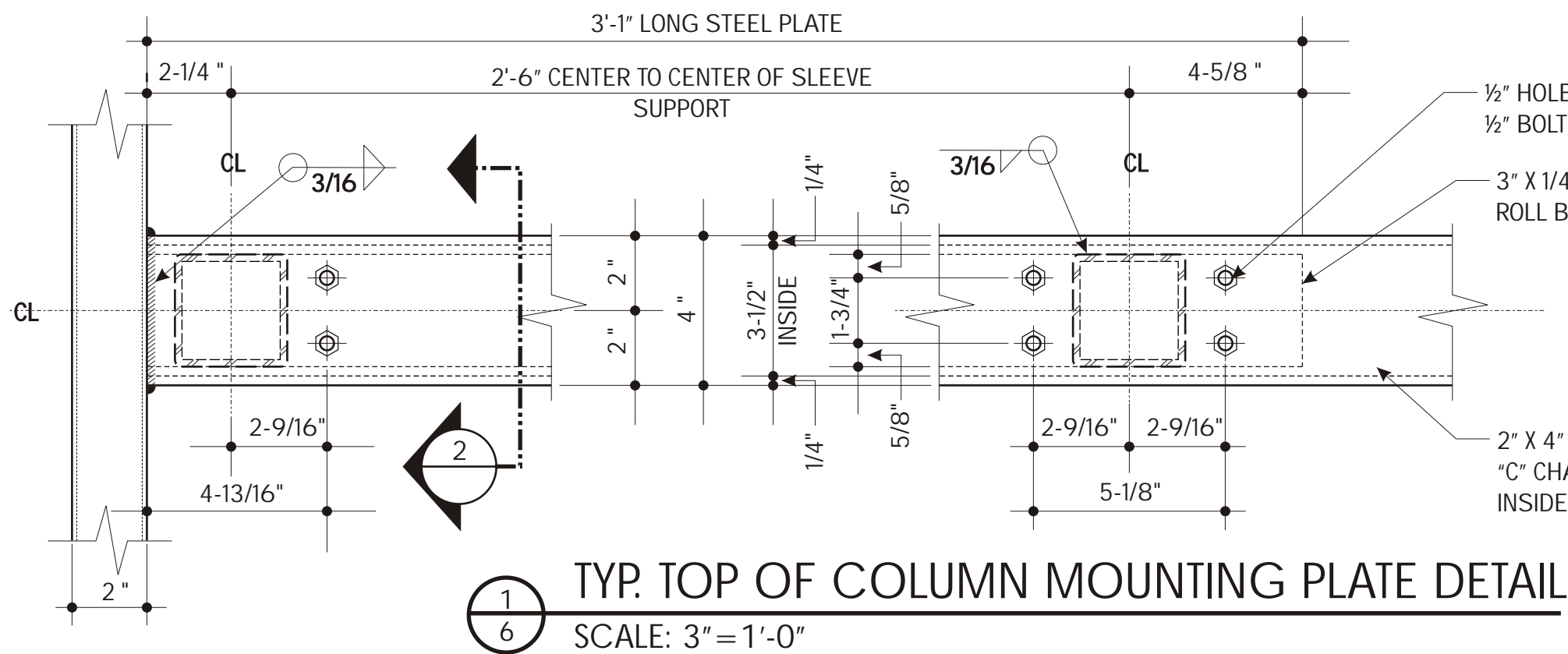
CUSTOMER TO PROVIDE PRIMARY ELECTRICAL SERVICE WITHIN 6'-0" OF SIGN ELECTRICAL CONNECTION.

ALL ELECTRICAL COMPONENTS TO BE U.L. APPROVED, MANUFACTURE'S LABEL AND U.L. LABEL SHALL BE PLACED ON SIGN ACCORDING TO CITY CODE.

SHEET

4 OF 8





PROJECT NAME: CITY OF BUELLTON SOLVANG	COMPUTER FILE: DRAWING No. 12ft Gable Roof Shelter
ADDRESS: -	SCALE: AS NOTED
CITY / STATE: BUELLTON SOLVANG	DRAWN BY: AS
TELEPHONE: -	DESIGN DATE: 06/30/08
FAX NUMBER: -	SALES PERSON: THERESA ROTH

APPROVAL	DATE
CLIENT	
SALES	
LANDLORD	
PROGRAMING	
ENGINEER	



DATE	BY	REVISION
R1 07/29/08	AS	PERFORATED STEEL SHADE SCREEN ADDED REVISED

NOTE: THIS IS AN ORIGINAL UNPUBLISHED DRAWING CREATED BY LNI CUSTOM MFG., INC. IT IS SUBMITTED FOR YOUR PERSONAL USE IN CONNECTION WITH A PROJECT BEING PLANNED FOR YOU BY LNI CUSTOM MFG., INC. IT IS NOT TO BE SHOWN TO ANYONE OUTSIDE YOUR ORGANIZATION, NOR IS IT TO BE USED, REPRODUCED, COPIED, OR EXHIBITED IN ANY FASHION.

GENERAL NOTES

CUSTOMER TO PROVIDE PRIMARY ELECTRICAL SERVICE WITHIN 6'-0" OF SIGN ELECTRICAL CONNECTION.

ALL ELECTRICAL COMPONENTS TO BE U.L. APPROVED, MANUFACTURE'S LABEL AND U.L. LABEL SHALL BE PLACED ON SIGN ACCORDING TO CITY CODE.

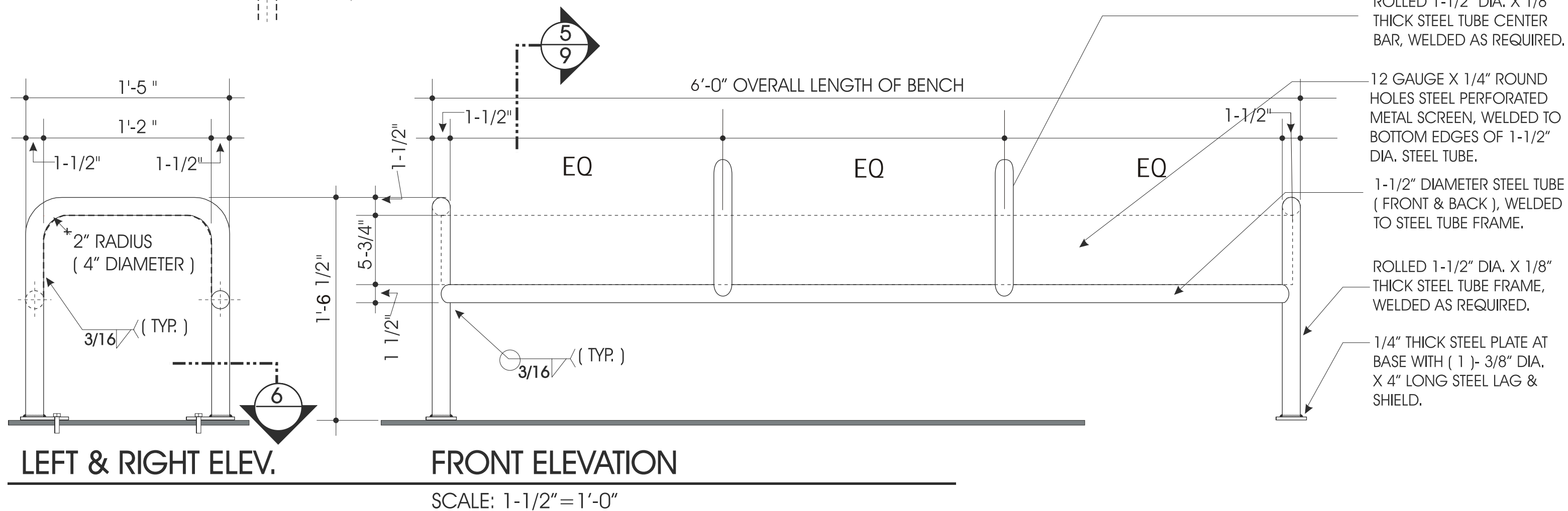
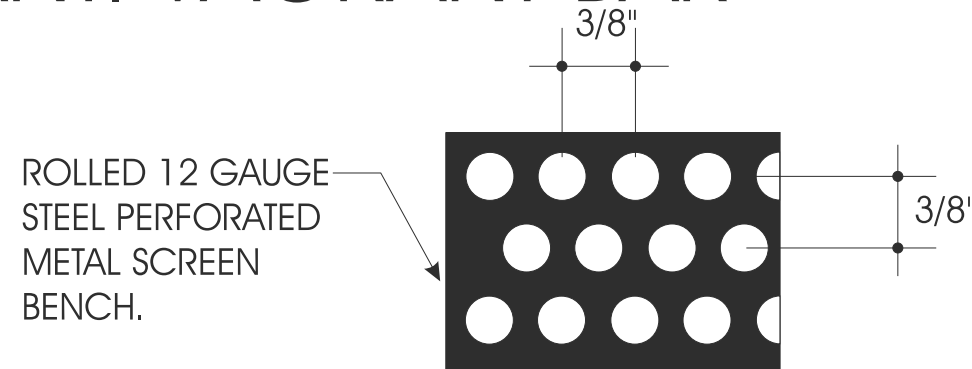
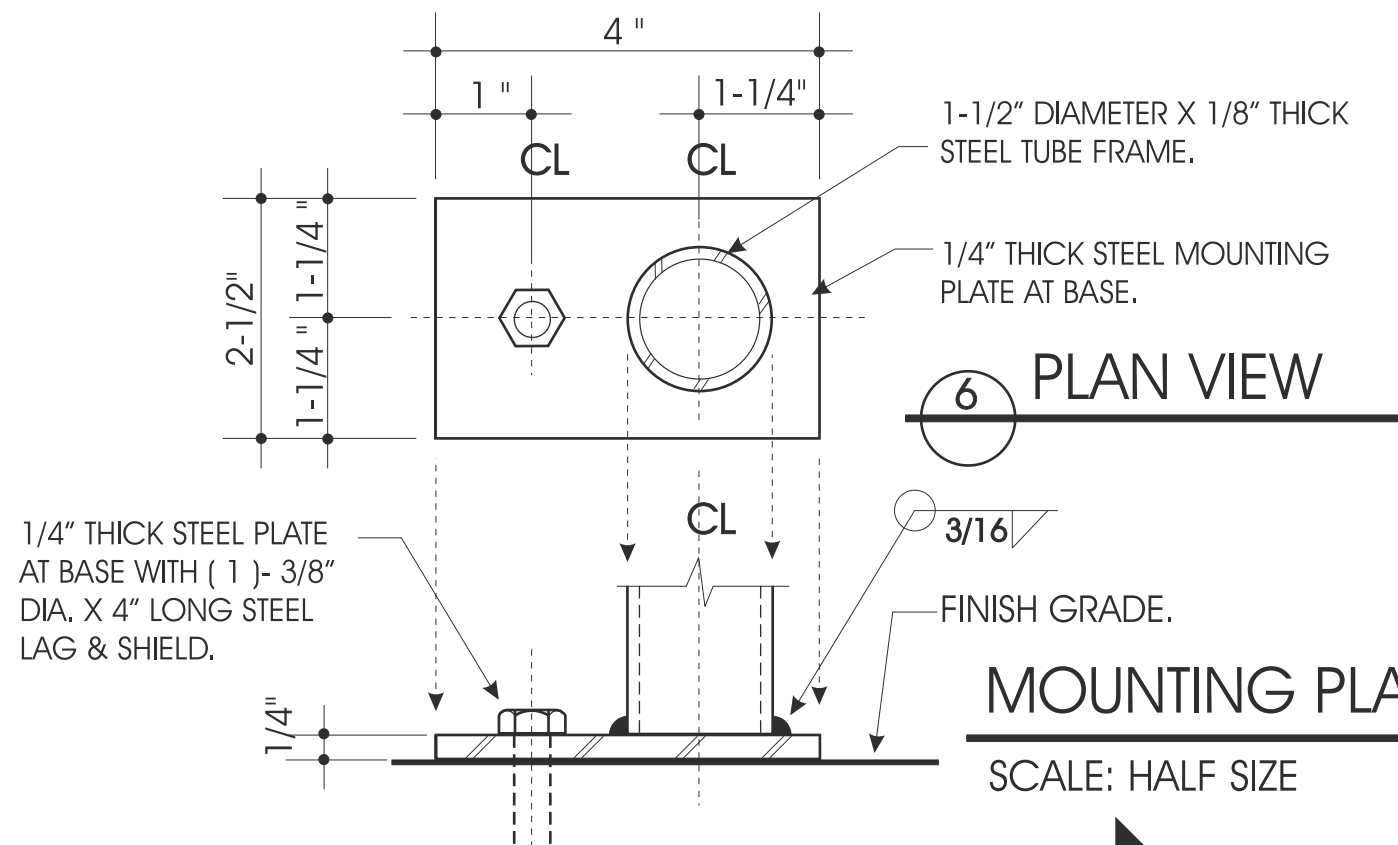
SHEET  
6 OF 8

**NOTE:**  
POWDER COATED ALL EXPOSED SURFACES TO PREVENT GALVANIC CORROSION.

ALL ALUMINUM EXTRUDED TUBE TO BE 6061T6 OR 6063T5 ALLOY.

ALL STEEL TUBE TO BE A-500B ALLOY.

# NO-BACK BENCH WITH ANTI-VAGRANT BAR



<b>PROJECT NAME:</b> CITY OF BUELLTON SOLVANG	<b>COMPUTER FILE:</b> DRAWING No. 12ft Gable Roof Shelter
<b>ADDRESS:</b> -	<b>SCALE:</b> AS NOTED
<b>CITY / STATE:</b> BUELLTON SOLVANG	<b>DRAWN BY:</b> AS
<b>TELEPHONE:</b> -	<b>DESIGN DATE:</b> 06/30/08
<b>FAX NUMBER:</b> -	<b>SALES PERSON:</b> THERESA ROTH

APPROVAL	DATE
CLIENT	
SALES	
LANDLORD	
PROGRAMING	
ENGINEER	



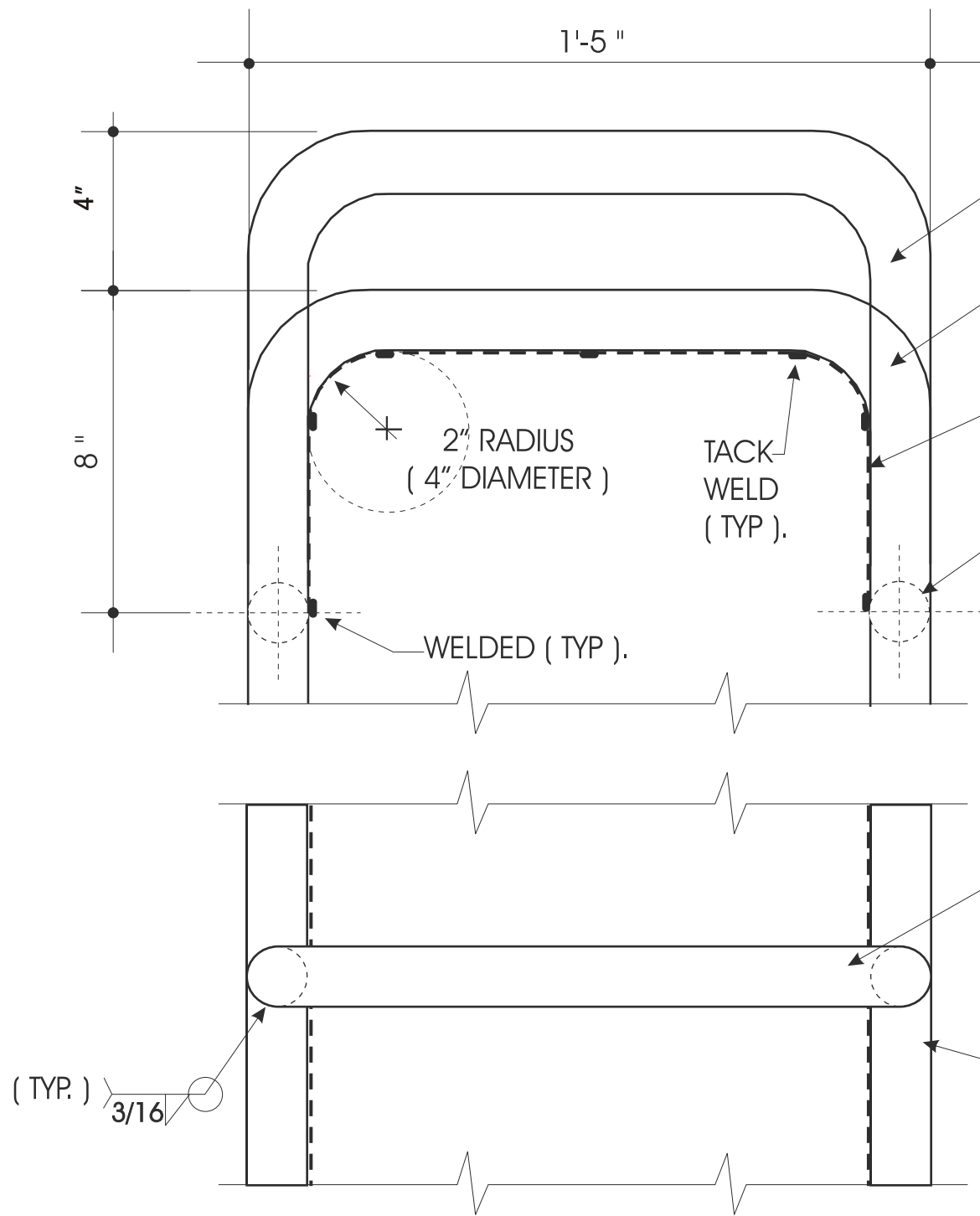
△	DATE	BY	REVISION
R1	07/29/08	AS	PERFORATED STEEL SHADE SCREEN ADDED REVISED

NOTE: THIS IS AN ORIGINAL UNPUBLISHED DRAWING CREATED BY LNI CUSTOM MFG., INC. IT IS SUBMITTED FOR YOUR PERSONAL USE IN CONNECTION WITH A PROJECT BEING PLANNED FOR YOU BY LNI CUSTOM MFG., INC. IT IS NOT TO BE SHOWN TO ANYONE OUTSIDE YOUR ORGANIZATION, NOR IS IT TO BE USED, REPRODUCED, COPIED, OR EXHIBITED IN ANY FASHION.

**GENERAL NOTES**

CUSTOMER TO PROVIDE PRIMARY ELECTRICAL SERVICE WITHIN 6'-0" OF SIGN ELECTRICAL CONNECTION.  
ALL ELECTRICAL COMPONENTS TO BE U.L. APPROVED, MANUFACTURER'S LABEL AND U.L. LABEL SHALL BE PLACED ON SIGN ACCORDING TO CITY CODE.

**POWDER COAT NOTE:**  
 SHELTER STRUCTURE AND ROOF AND SIDINGS: COLOR TO BE  
 CARDINAL C006-GN03 GREEN.



ROLLED 1-1/2" DIA. X 1/8" THICK  
 STEEL ANTI VAGRANT BARS

ROLLED 1-1/2" DIA. X 1/8" THICK STEEL  
 TUBE FRAME (BOTH ENDS)

ROLLED 12 GAUGE X 1/4" ROUND HOLES  
 3/8" STAGGERED CENTERS STEEL  
 PERFORATED METAL SCREEN ( BENCH )  
 WELDED TO BOTTOM EDGES OF 1-1/2"  
 DIA. STEEL TUBE.

1-1/2" DIAMETER STEEL TUBE ( FRONT &  
 BACK ), WELDED TO STEEL TUBE FRAME.

**5 SECTION ( CENTER BAR )**

ROLLED 1-1/2" DIAMETER X 1/8" THICK  
 STEEL TUBE CENTER BAR, WELDED AS  
 REQUIRED.

1-1/2" DIAMETER STEEL TUBE ( FRONT &  
 BACK ), WELDED TO STEEL TUBE FRAME.

**( PLAN VIEW )**

SCALE: 3" = 1'-0"

PROJECT NAME: CITY OF BUELLTON SOLVANG	COMPUTER FILE DRAWING No. 12ft Gable Roof Shelter
ADDRESS -	SCALE: AS NOTED
CITY / STATE: BUELLTON SOLVANG	DRAWN BY: AS
TELEPHONE: -	DESIGN DATE: 06/30/08
FAX NUMBER: -	SALES PERSON: THERESA ROTH

APPROVAL	DATE
CLIENT	
SALES	
LANDLORD	
PROGRAMING	
ENGINEER	

12536 CHADRON AVENUE  
 HAWTHORNE, CA 90250  
 PH 310.978.2000  
 FX 310.978.4000  
 HTTP://WWW.LNISIGNS.COM

CUSTOM MANUFACTURING SINCE 1952

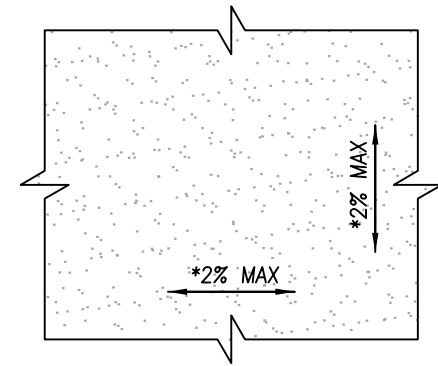
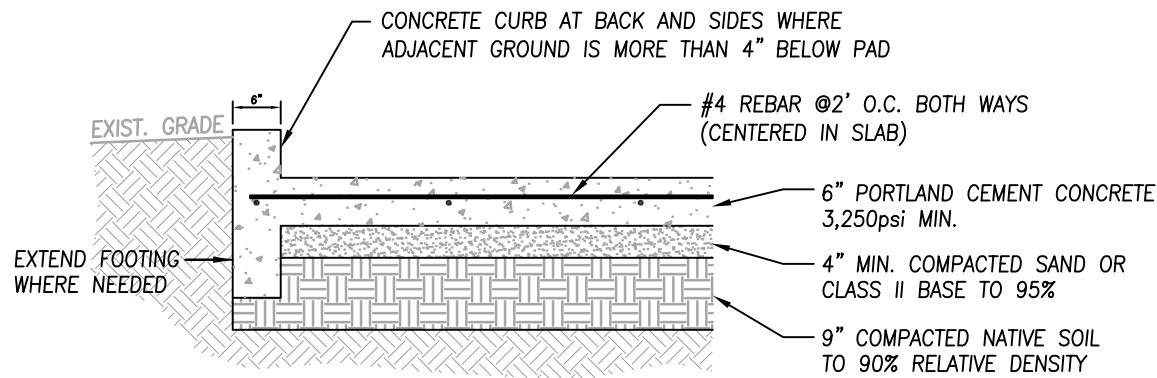
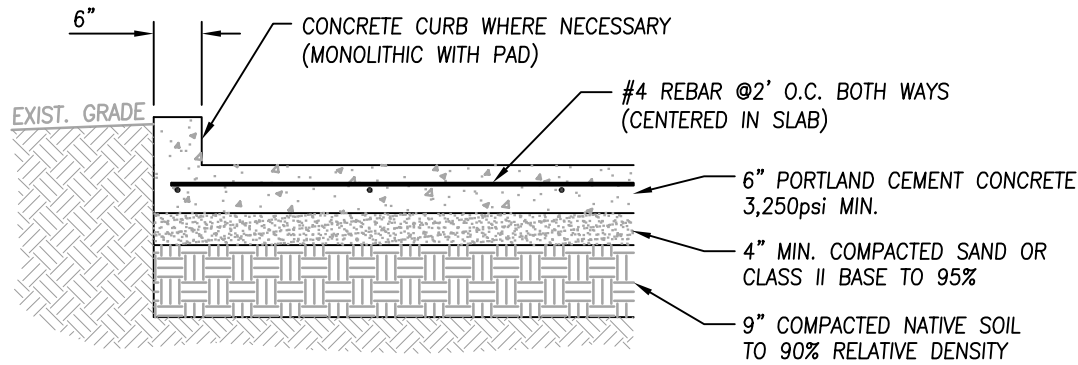
△	DATE	BY	REVISION
R1	07/29/08	AS	PERFORATED STEEL SHADE SCREEN ADDED REVISED

NOTE: THIS IS AN ORIGINAL UNPUBLISHED DRAWING CREATED BY LNI CUSTOM MFG., INC. IT IS SUBMITTED FOR YOUR PERSONAL USE IN CONNECTION WITH A PROJECT BEING PLANNED FOR YOU BY LNI CUSTOM MFG., INC. IT IS NOT TO BE SHOWN TO ANYONE OUTSIDE YOUR ORGANIZATION, NOR IS IT TO BE USED, REPRODUCED, COPIED, OR EXHIBITED IN ANY FASHION.

GENERAL NOTES

CUSTOMER TO PROVIDE PRIMARY ELECTRICAL SERVICE WITHIN 6'-0" OF SIGN ELECTRICAL CONNECTION.

ALL ELECTRICAL COMPONENTS TO BE U.L. APPROVED. MANUFACTURE'S LABEL AND U.L. LABEL SHALL BE PLACED ON SIGN ACCORDING TO CITY CODE.



PLAN VIEW

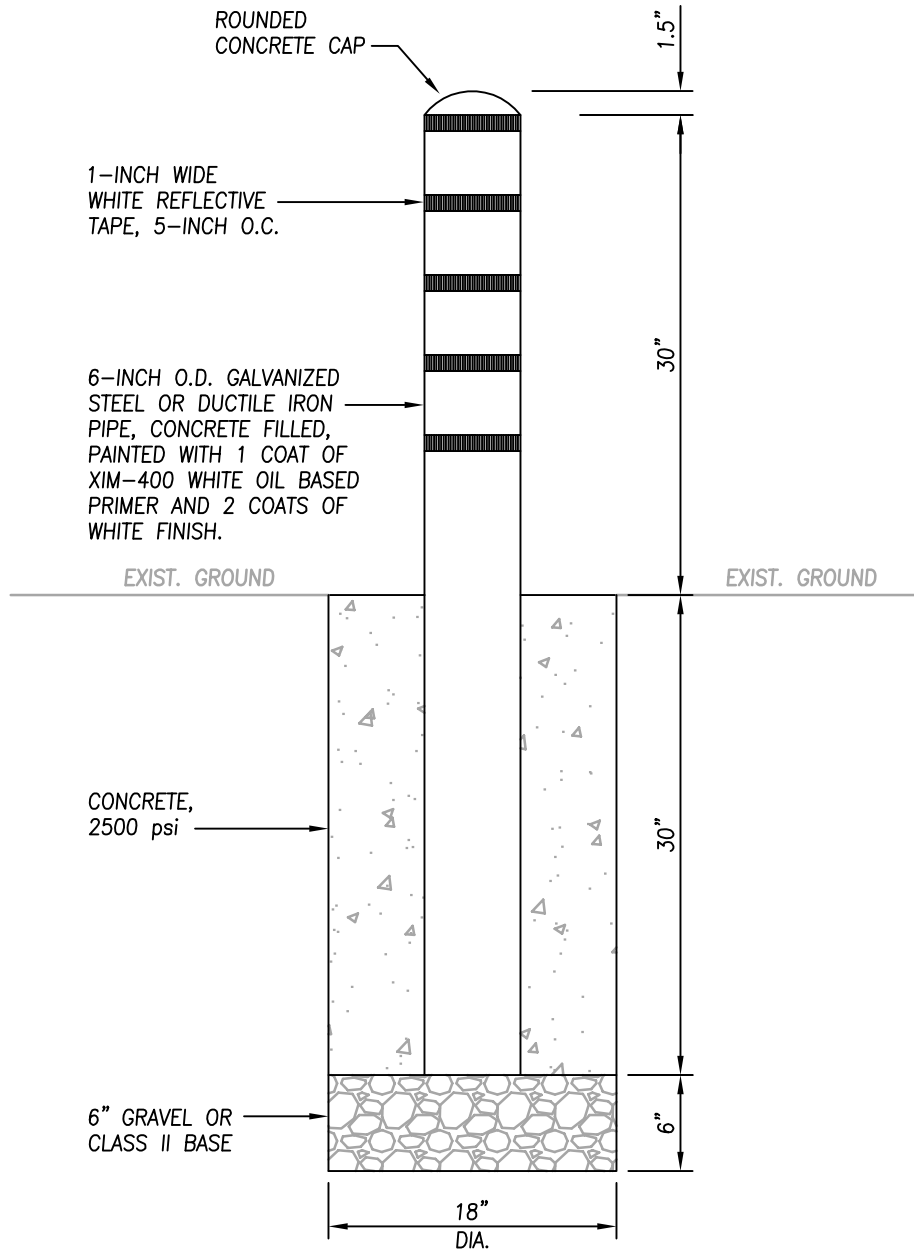
\* MATCH EXISTING PAVING OR PROVIDE  
TRANSITIONAL PAVING AT 2% MAX  
GRADE TO MEET ADA REQUIREMENTS.

## CONCRETE PAD DETAIL 'A'

(SEE SITE PLAN FOR PAD SIZE)

PREPARED BY: SID GOLDSTIEN - CIVIL ENGINEER, INC.  
650 ALAMO PINTADO RD., #302  
SOLVANG, CA. 93463  
(805) 688-1526  
sid@sjgce.com

JANUARY 30, 2012  
www.sjgce.com



**NOTES:**

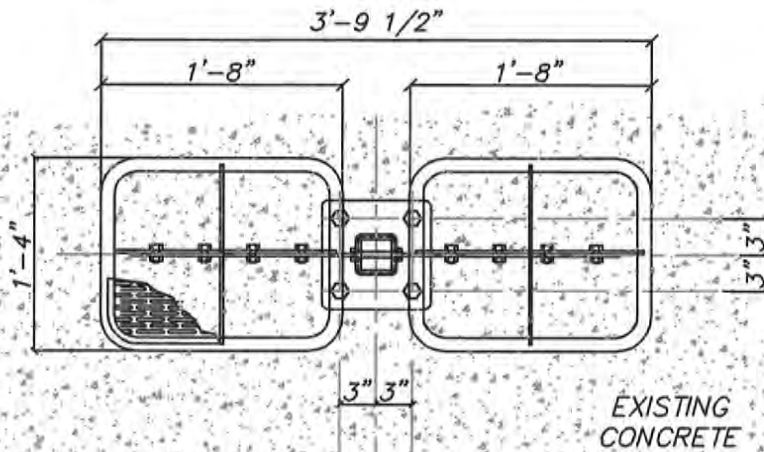
1. GUARD POSTS SHALL BE INSTALLED PLUMB. CONCRETE FOR SETTING GUARD POSTS SHALL BE 2500 psi MIN.
2. CONCRETE SHALL BE PLACED AGAINST FIRM UNDISTURBED NATIVE SOIL AND SHALL BE THOROUGHLY CONSOLIDATED.

**BOLLARD DETAIL 'B'**

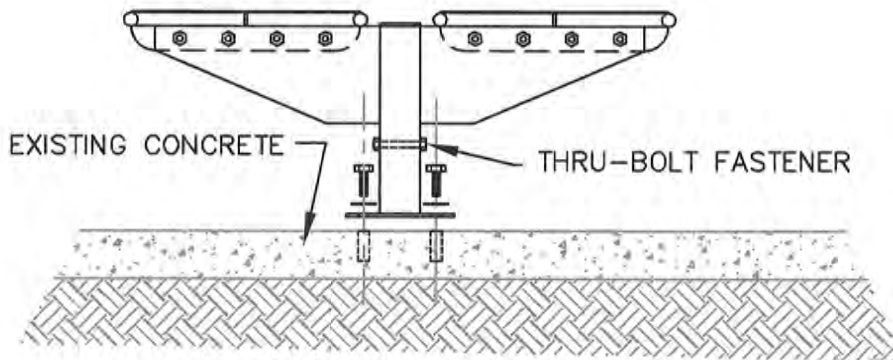
PREPARED BY: SID GOLDSTIEN - CIVIL ENGINEER, INC.  
 650 ALAMO PINTADO RD., #302  
 SOLVANG, CA. 93463  
 (805) 688-1526  
 sid@sjgce.com

JANUARY 30, 2012  
 www.sjgce.com

SS-1

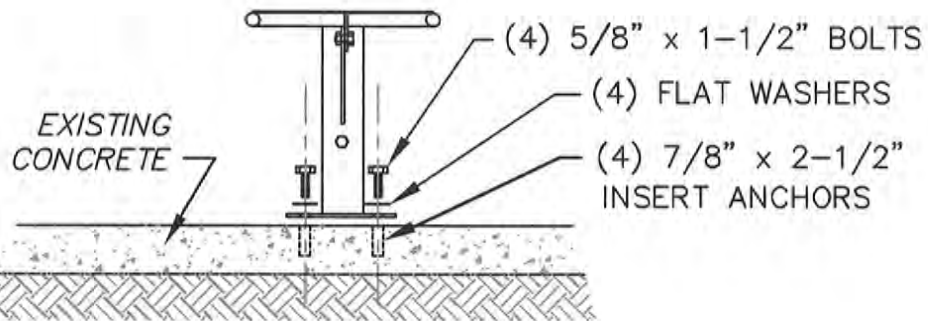


PLAN



FRONT ELEVATION

NOTE: WHEN INSTALLED ACCORDING TO THESE INSTRUCTIONS, THIS STRUCTURE WILL WITHSTAND THE WIND SHEAR FORCES CREATED BY MAXIMUM WIND VELOCITIES OF 125 MILES PER HOUR.



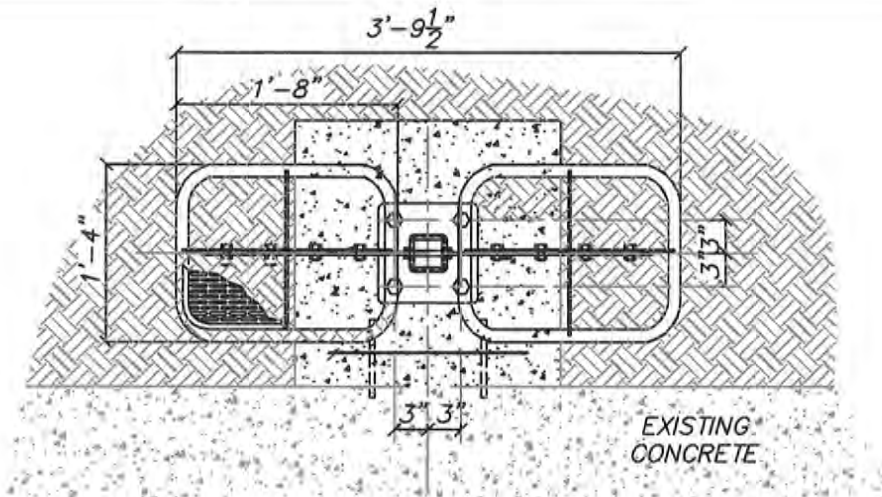
SIDE ELEVATION

INSTALLATION ON EXISTING CONCRETE

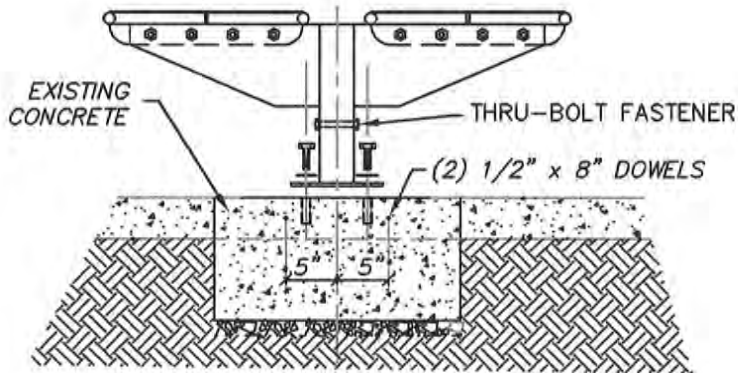
SIMME L.L.C.  
555 CHERRY DRIVE  
EUGENE, OR 97401

TEL. (541)338-7993  
WWW.SIMMESEAT.COM  
SIMME-SEAT@COMCAST.NET

SS-2

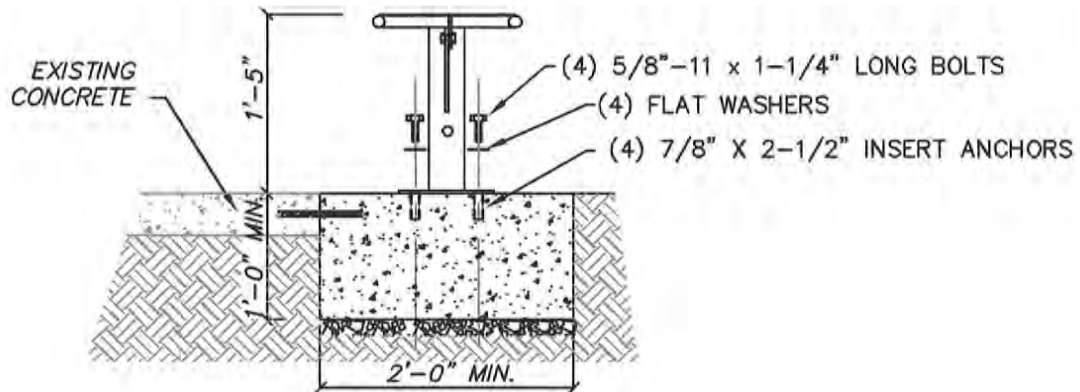


PLAN



FRONT ELEVATION

NOTE: WHEN INSTALLED ACCORDING TO THESE INSTRUCTIONS, THIS STRUCTURE WILL WITHSTAND THE WIND SHEAR FORCES CREATED BY MAXIMUM WIND VELOCITIES OF 125 MILES PER HOUR.



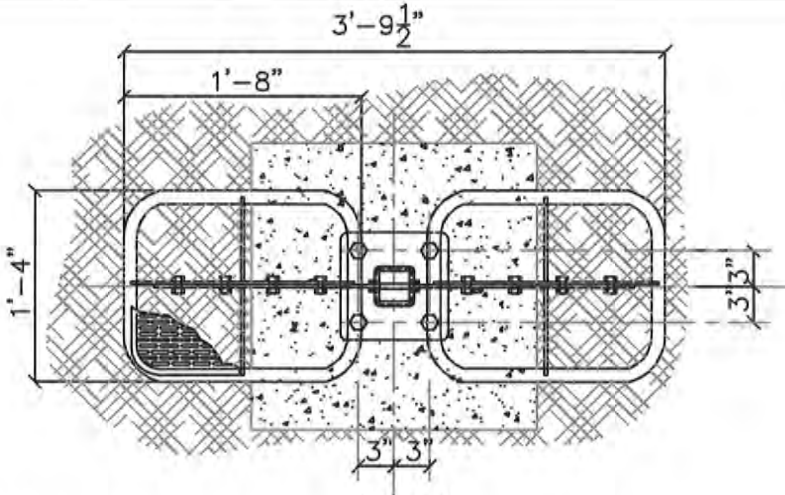
SIDE ELEVATION

INSTALLATION ADJACENT TO EXISTING CONCRETE

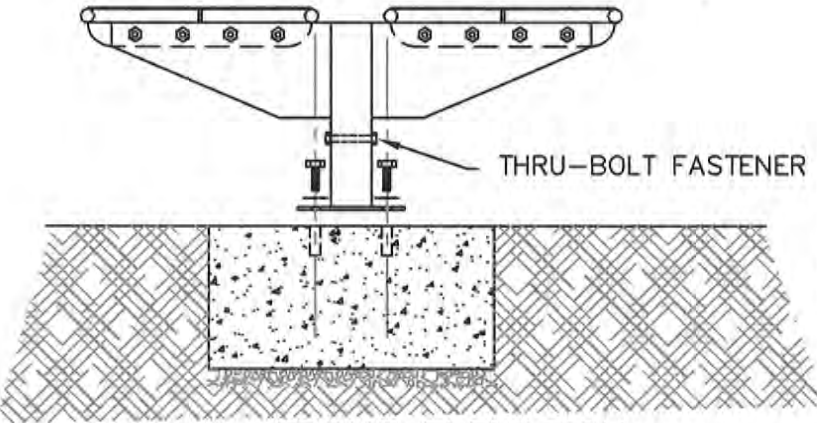
SIMME L.L.C.  
555 CHERRY DRIVE  
EUGENE, OR 97401

TEL. (541)338-7993  
WWW.SIMMESEAT.COM  
SIMME-SEAT@COMCAST.NET

SS-3

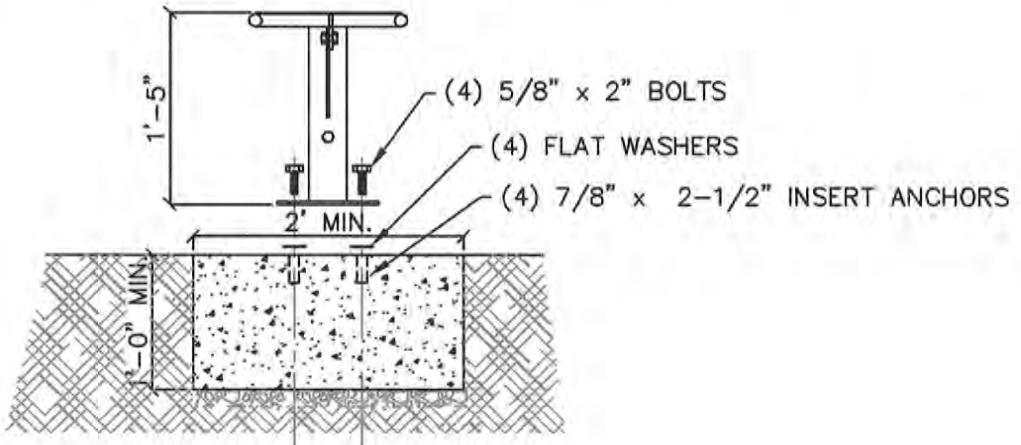


PLAN



FRONT ELEVATION

NOTE: WHEN INSTALLED ACCORDING TO THESE INSTRUCTIONS, THIS STRUCTURE WILL WITHSTAND THE WIND SHEAR FORCES CREATED BY MAXIMUM WIND VELOCITIES OF 125 MILES PER HOUR.



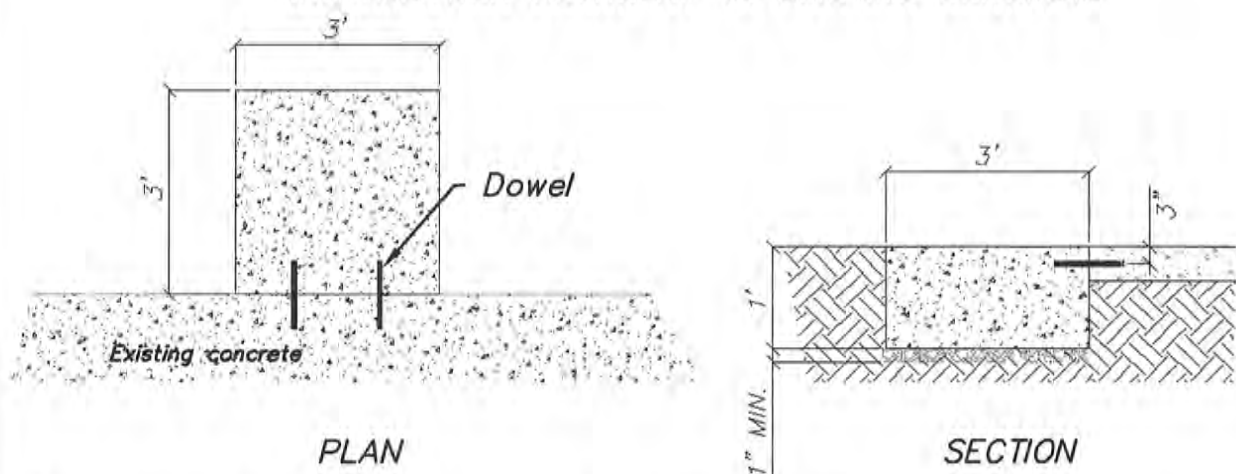
SIDE ELEVATION

INSTALLATION AT ISOLATED REMOTE LOCATION

SIMME L.L.C.  
555 CHERRY DRIVE  
EUGENE, OR 97401

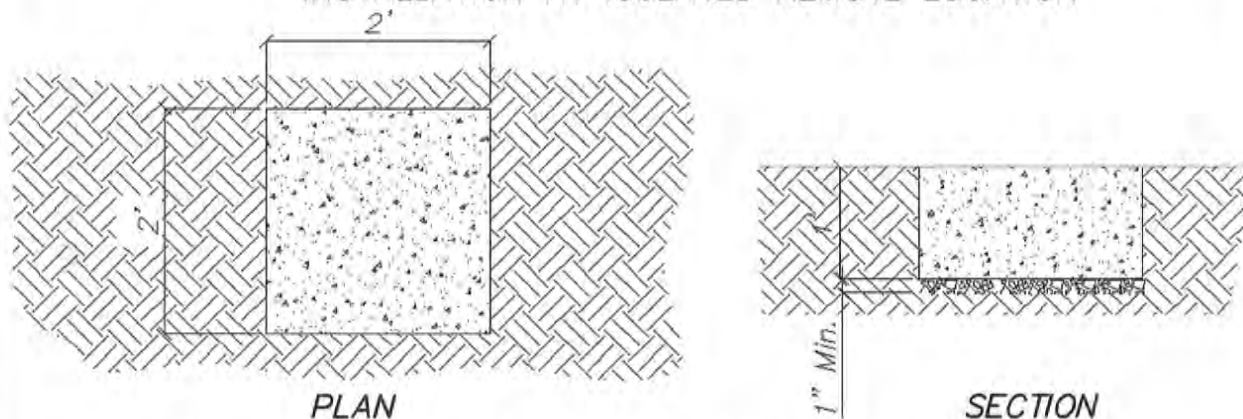
TEL. (541)338-7993  
WWW.SIMMESEAT.COM  
SIMME-SEAT@COMCAST.NET

### INSTALLATION ADJACENT TO EXISTING CONCRETE



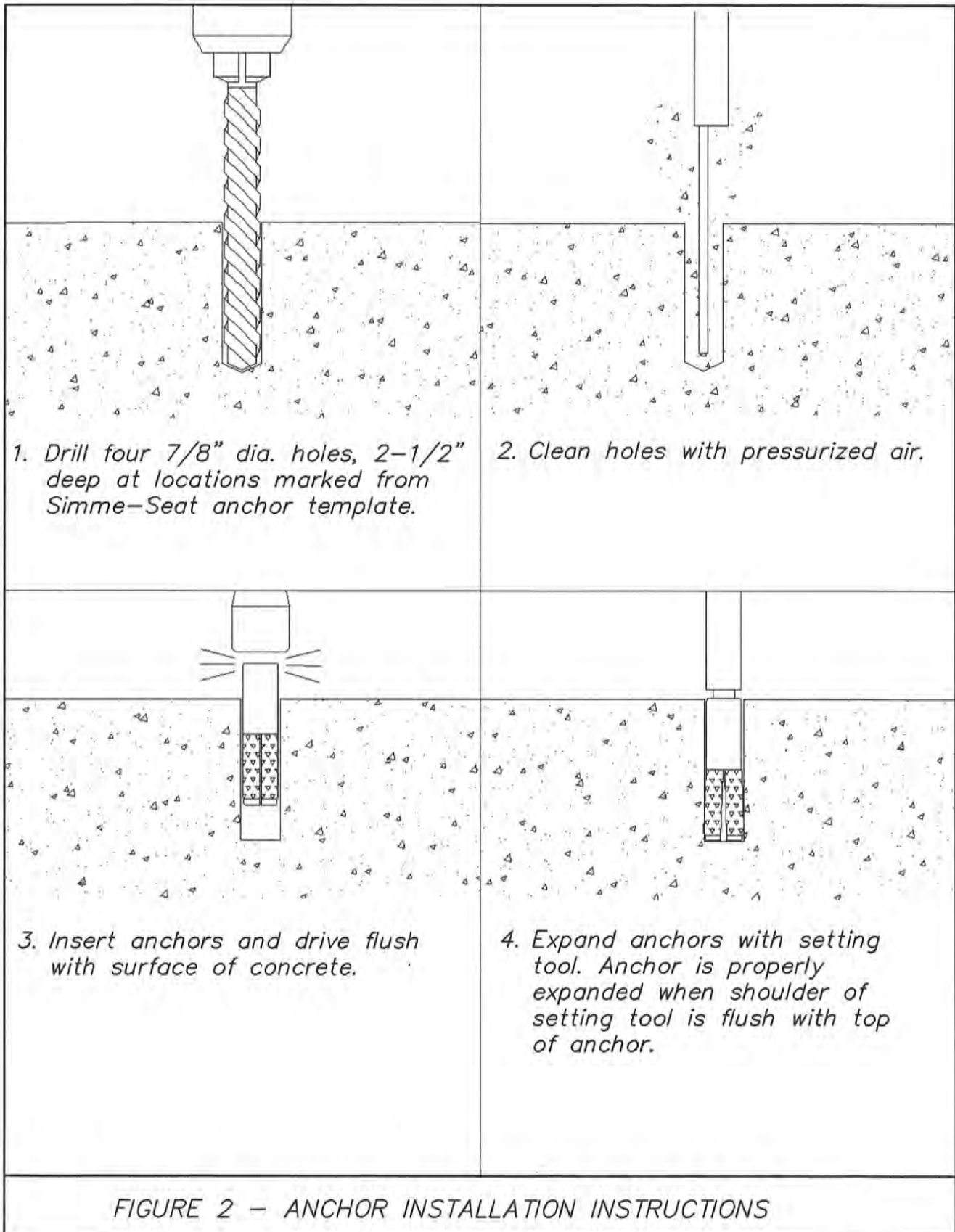
1. Excavate 13" min. below surface adjacent to existing concrete. Place and compact 3/4"– crushed rock 1" min. thickness.
2. Drill two 5/8" dia. holes into existing concrete at locations shown and epoxy two #4, 12" long rebar dowels into holes.
3. Form for and pour 12" min. thick concrete pad.
4. After concrete cures, strip forms and backfill around concrete pad.

### INSTALLATION AT ISOLATED REMOTE LOCATION



1. Excavate minimum of 13" below surface to form for concrete footing of dimensions shown. Place and compact 3/4"– crushed rock of 1" min. thickness.
2. Form for and pour concrete footing.
3. After concrete cures, strip forms and backfill around concrete pad.

FIGURE 1 – FOUNDATION INSTALLATION INSTRUCTIONS



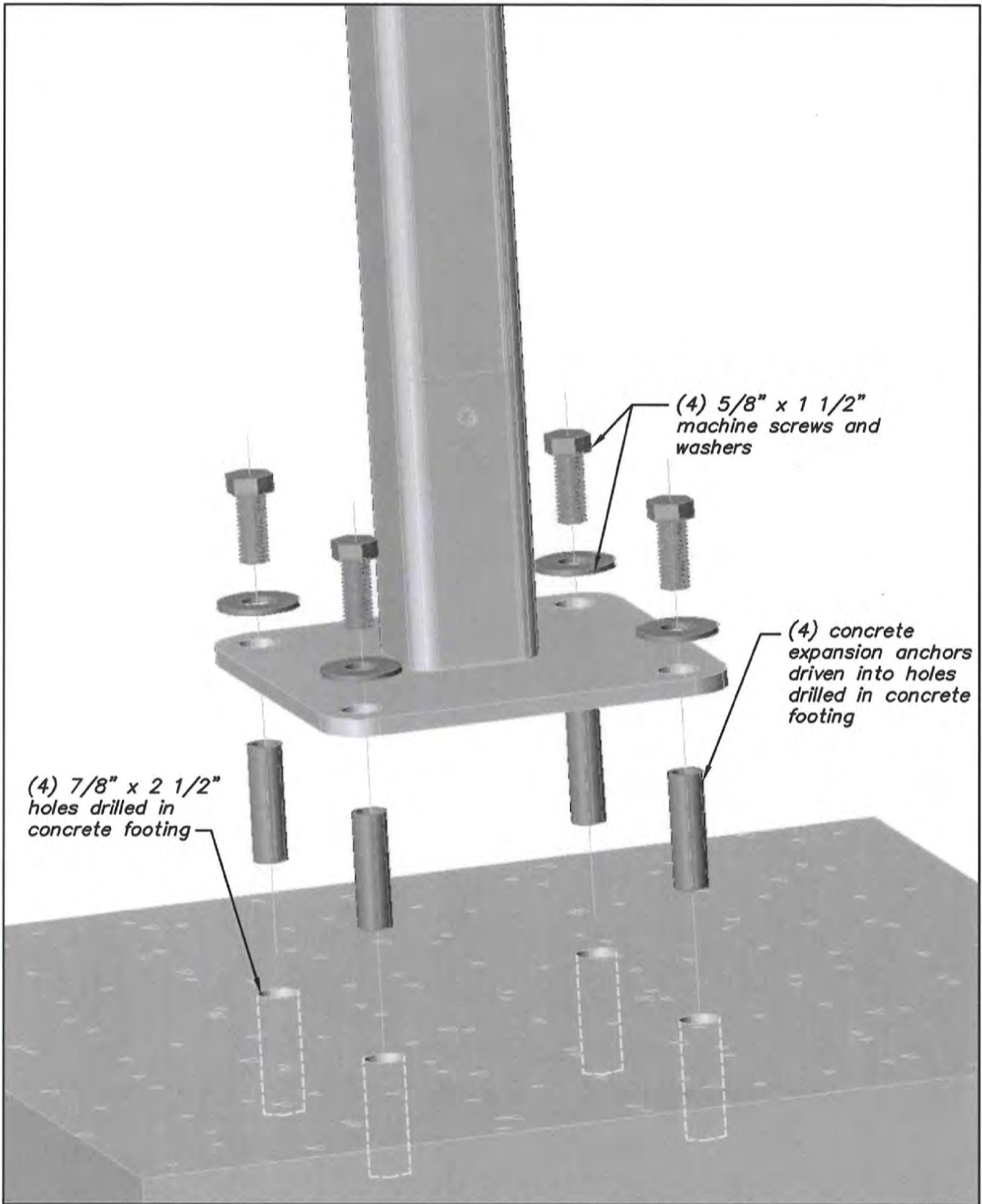
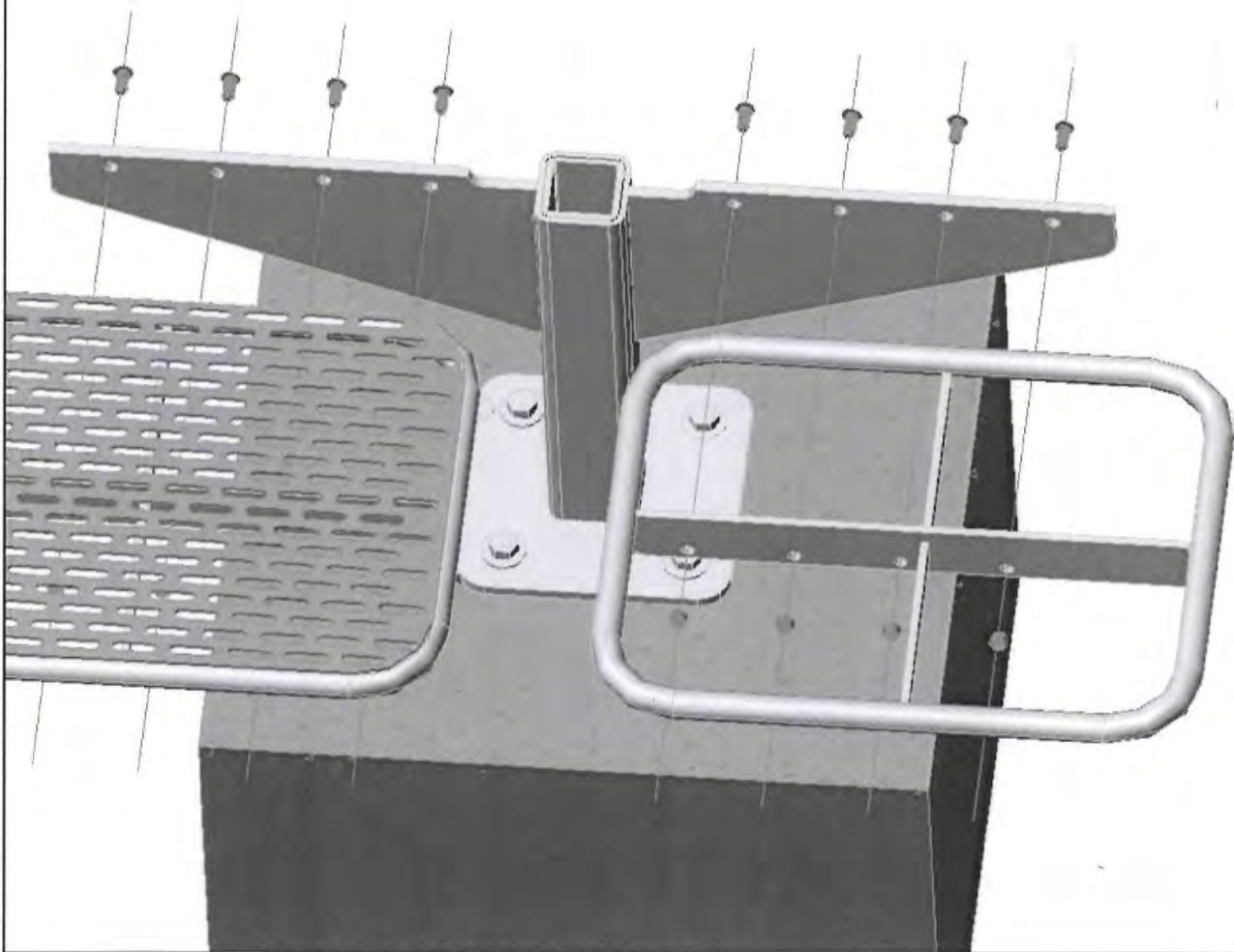


FIGURE 3 – SUPPORT INSTALLATION INSTRUCTIONS

*After seat support pedestal is installed on concrete pad, attach the two seat sections with eight 3/8" x 1" button-head machine screws and lock nuts provided.*



*FIGURE 4 – SEAT ASSEMBLY*

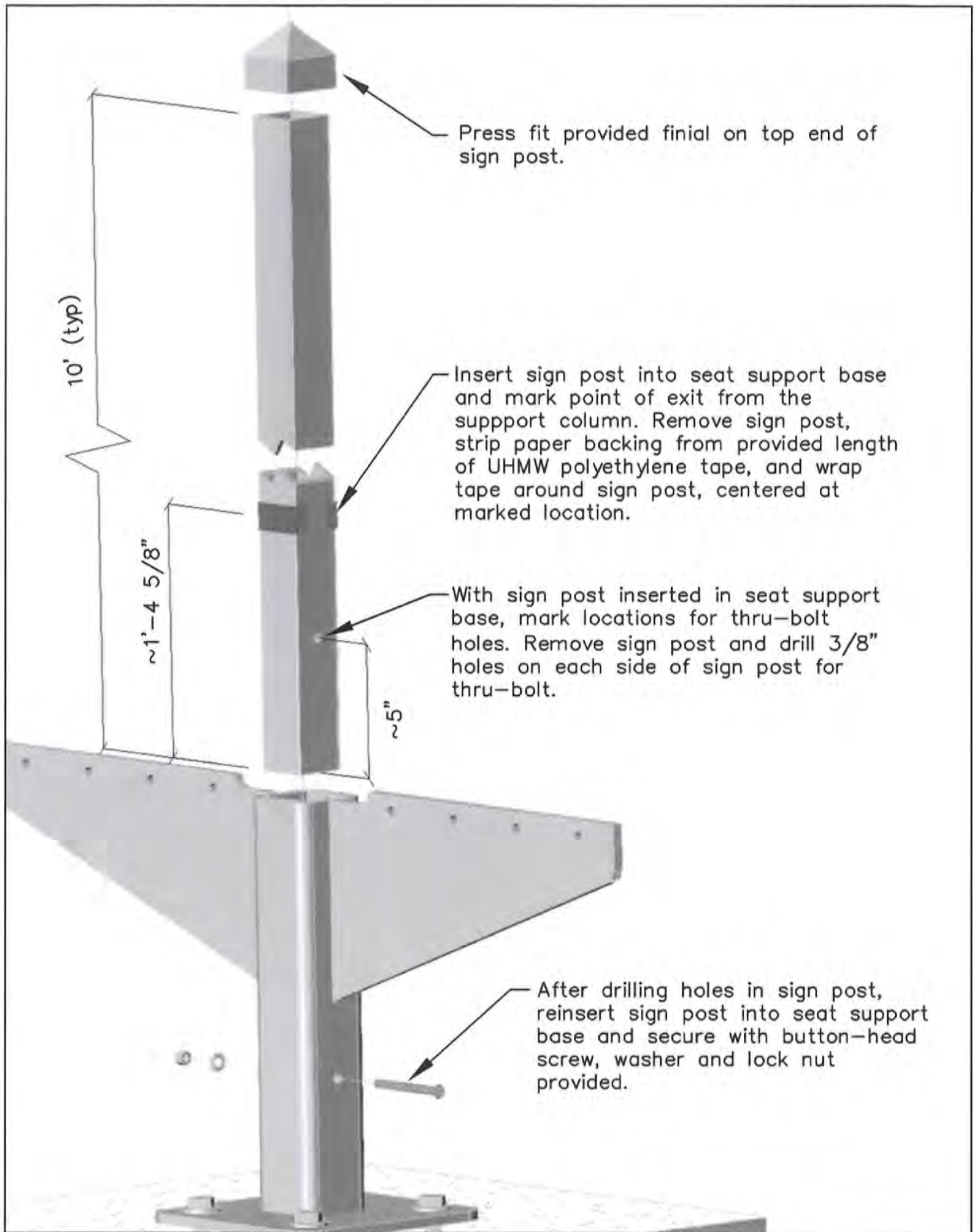
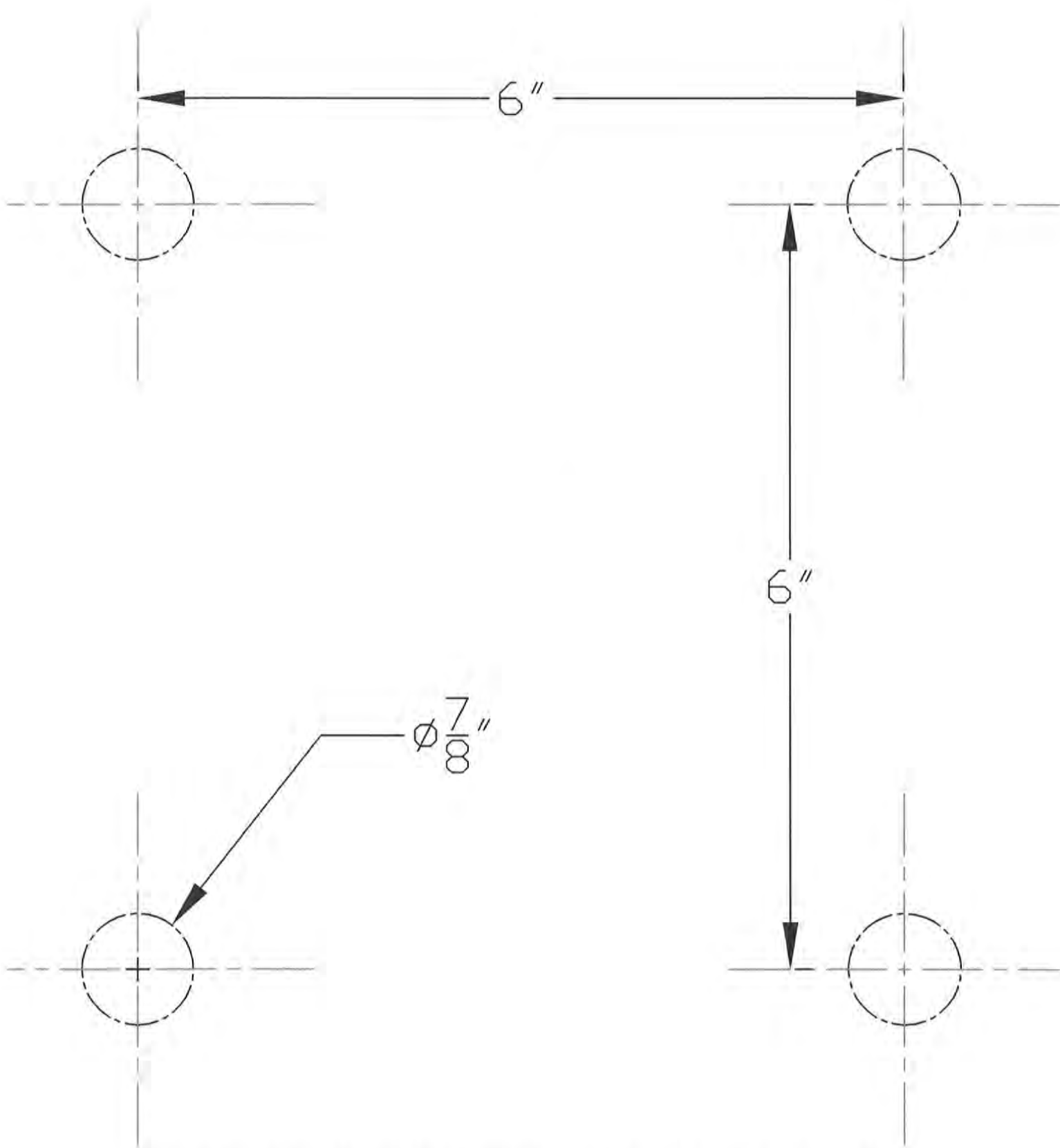
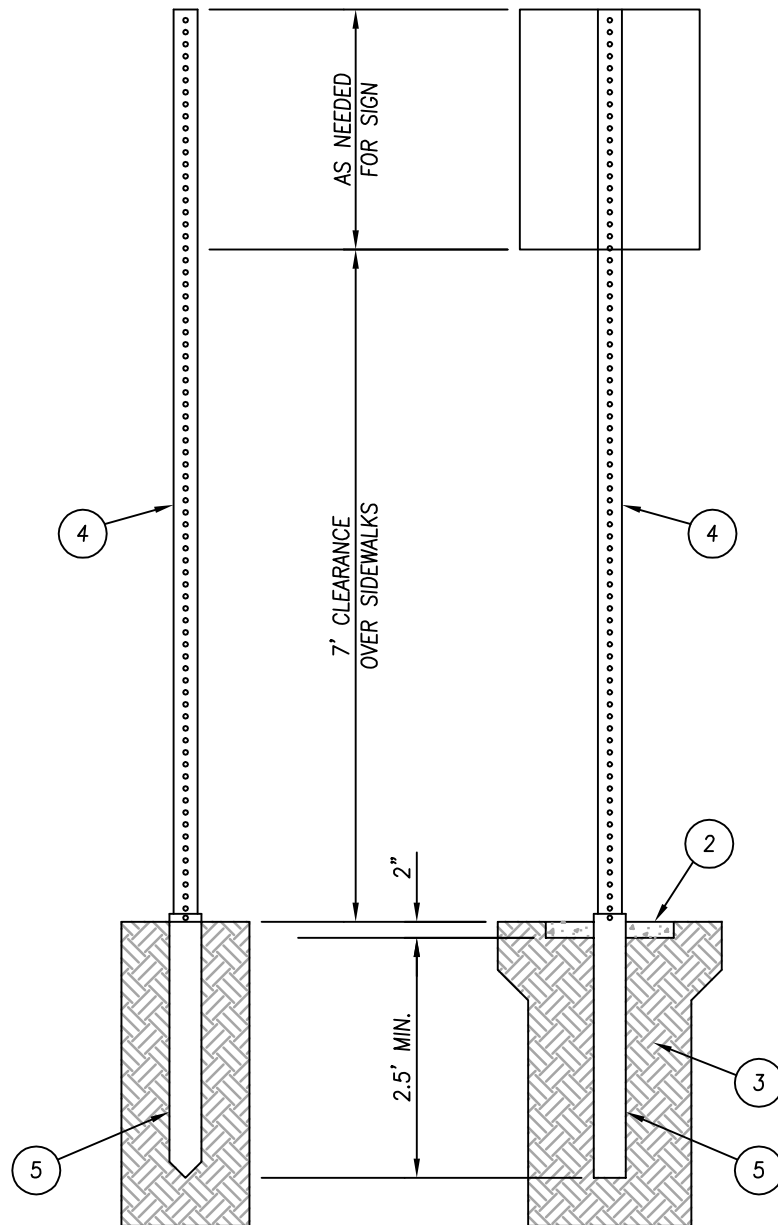


FIGURE 5 – SIGN POST INSTALLATION



SIMME-SEAT EXPANSION ANCHOR TEMPLATE



**NOTES:**

1. FOR SIGN POST FOUNDATION SPECIFICATIONS SEE THE CALTRANS STANDARD SPECIFICATIONS FOR CONSTRUCTION OF LOCAL STREETS AND ROADS SECTION 56 (ROADSIDE SIGNS – CONSTRUCTION).
2. IF THE SIGN POST IS TO BE PLACED IN A SIDEWALK, A 12" DIAMETER OR 12"x12" SQUARE BLOCKOUT 2" THICK SHALL BE PROVIDED.
3. THE SOIL IN THE BLOCKOUT SHALL BE COMPACTED TO 90% OF MAXIMUM DENSITY.
4. ALL SIGN POSTS SHALL BE A 2"x2" SQUARE TUBE OF PERFORATED, 10 OR 12-GAUGE, GALVANIZED STEEL.
5. ALL SIGN POSTS SHALL BE PROVIDED WITH A BREAKAWAY ANCHOR SLEEVE PLACED AT FINISHED GRADE LEVEL.
6. PLACEMENT OF SIGN POSTS SHALL NOT CONFLICT WITH ADA REQUIREMENTS FOR SIDEWALK WIDTH.

***SIGN POST DETAIL 'C'***

PREPARED BY: SID GOLDSTIEN – CIVIL ENGINEER, INC.  
 650 ALAMO PINTADO RD., #302  
 SOLVANG, CA. 93463  
 (805) 688-1526  
 sid@sjgce.com

JANUARY 30, 2012  
 www.sjgce.com

